



KÖSTER Universal Roof Drain Extension for roof drain with TPO-seal

Technical Data Sheet RT 914 003
Issued: 2016-06-09

Roof drain extension with factory prepared seal made of grey TPO

Features

- Fits all flat roofs and constructions
- Can be combined with KÖSTER roof drains
- Excellent thermal properties of insulated products
- Weather, frost, and UV resistant
- Excellent functionality through tested, norm conforming drain values
- DIN EN 12056 part 3 - Roof Drainage
- DIN 1986 part 100 - Drainage for buildings and property
- DIN EN 1253 - Drains for buildings
- DIN 18195 - Structural Waterproofing
- Waterproofing for non-trafficked roofs

Technical Data

- Hard PVC, black
- Connection diameter 118.8 mm
- Pipe length 222 mm
- Insulation thickness up to 165 mm
- Diameter leaf trap 184 mm
- Fire resistance class B2 (no direct flame contact)
- Temperature resistance - 40 °C - + 80 °C
- Flow through temperature max. + 40 °C (short term + 80 °C)

Fields of Application

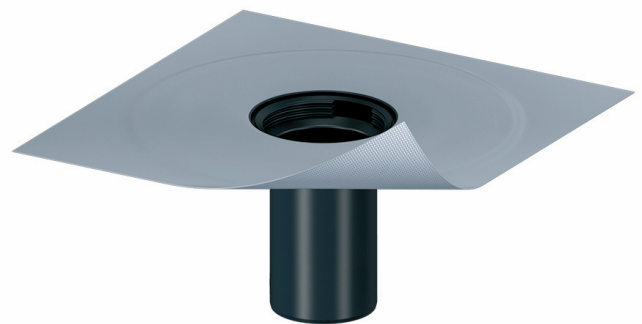
Universal extension for draining insulated roofs in connection with KÖSTER vertical Roof Drain DN 125.

Application

Install the drain according to the KÖSTER Installation Instructions. The KÖSTER Installation Instructions can be found on the KÖSTER Website.

Packaging

RT 914 003 piece

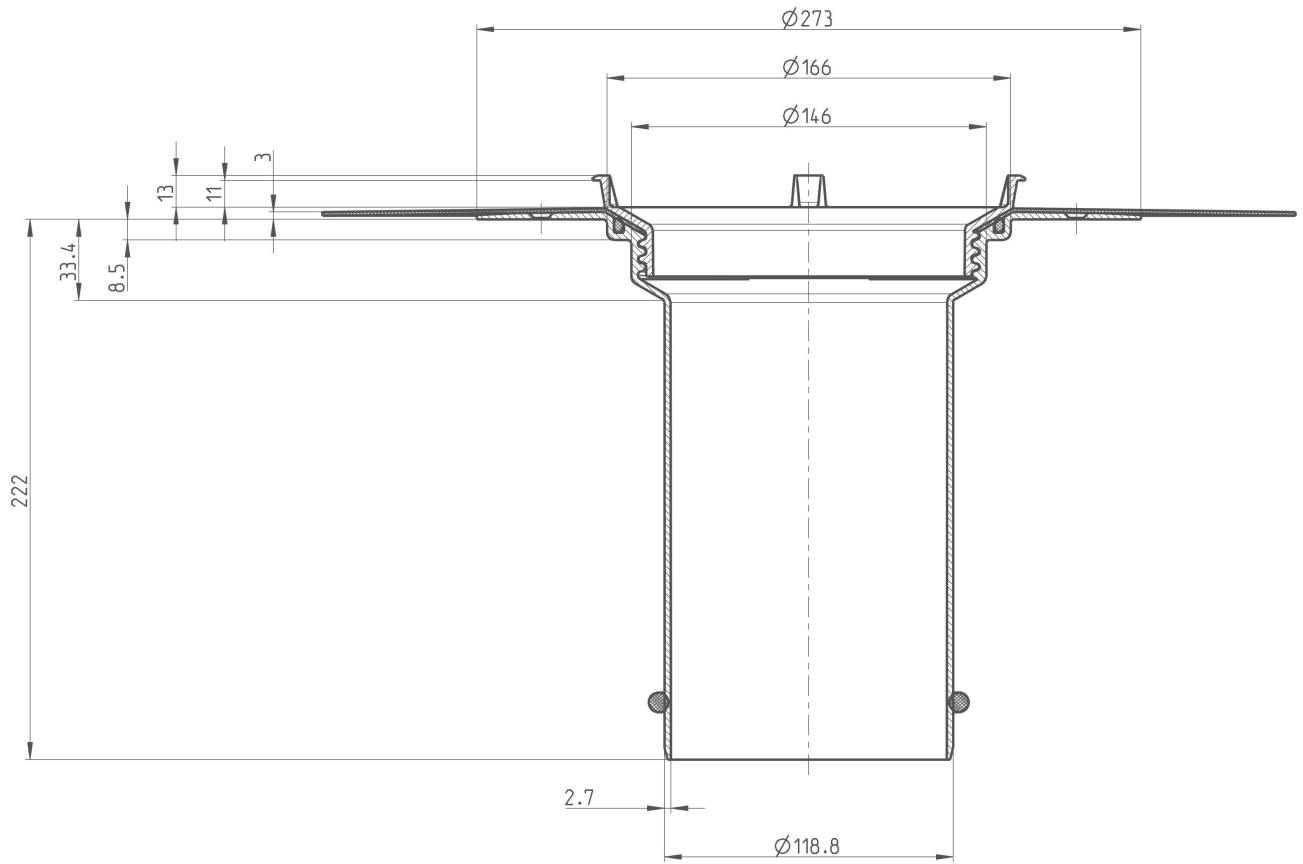


Related products

KÖSTER Roof Drain Insulation Adapter	Prod. code RT 914 005
KÖSTER Bonding Adhesive for Vents and Drains	Prod. code RT 915 007

The information contained in this technical data sheet is based on the results of our research and on our practical experience in the field. All given test data are average values which have been obtained under defined conditions. The proper and thereby effective and successful application of our products is not subject to our control. The installer is responsible for the correct application under consideration of the specific conditions of the construction site and for the final results of the construction process. This may require adjustments to the recommendations given here for standard cases. Specifications made by our employees or representatives which exceed the specifications contained in this technical guideline require written confirmation. The valid standards for testing and installation, technical guidelines, and acknowledged rules of technology have to be adhered to at all times. The warranty can and is therefore only applied to the quality of our products within the scope of our terms and conditions, not however, for their effective and successful application. This guideline has been technically revised; all previous versions are invalid.

KÖSTER BAUCHEMIE AG • Dieselstraße 1-10 • D-26607 Aurich • Tel. 04941/9709-0 • Fax -40 • info@koester.eu • www.koester.eu



The information contained in this technical data sheet is based on the results of our research and on our practical experience in the field. All given test data are average values which have been obtained under defined conditions. The proper and thereby effective and successful application of our products is not subject to our control. The installer is responsible for the correct application under consideration of the specific conditions of the construction site and for the final results of the construction process. This may require adjustments to the recommendations given here for standard cases. Specifications made by our employees or representatives which exceed the specifications contained in this technical guideline require written confirmation. The valid standards for testing and installation, technical guidelines, and acknowledged rules of technology have to be adhered to at all times. The warranty can and is therefore only applied to the quality of our products within the scope of our terms and conditions, not however, for their effective and successful application. This guideline has been technically revised; all previous versions are invalid.

KÖSTER BAUCHEMIE AG • Dieselstraße 1-10 • D-26607 Aurich • Tel. 04941/9709-0 • Fax -40 • info@koester.eu • www.koester.eu